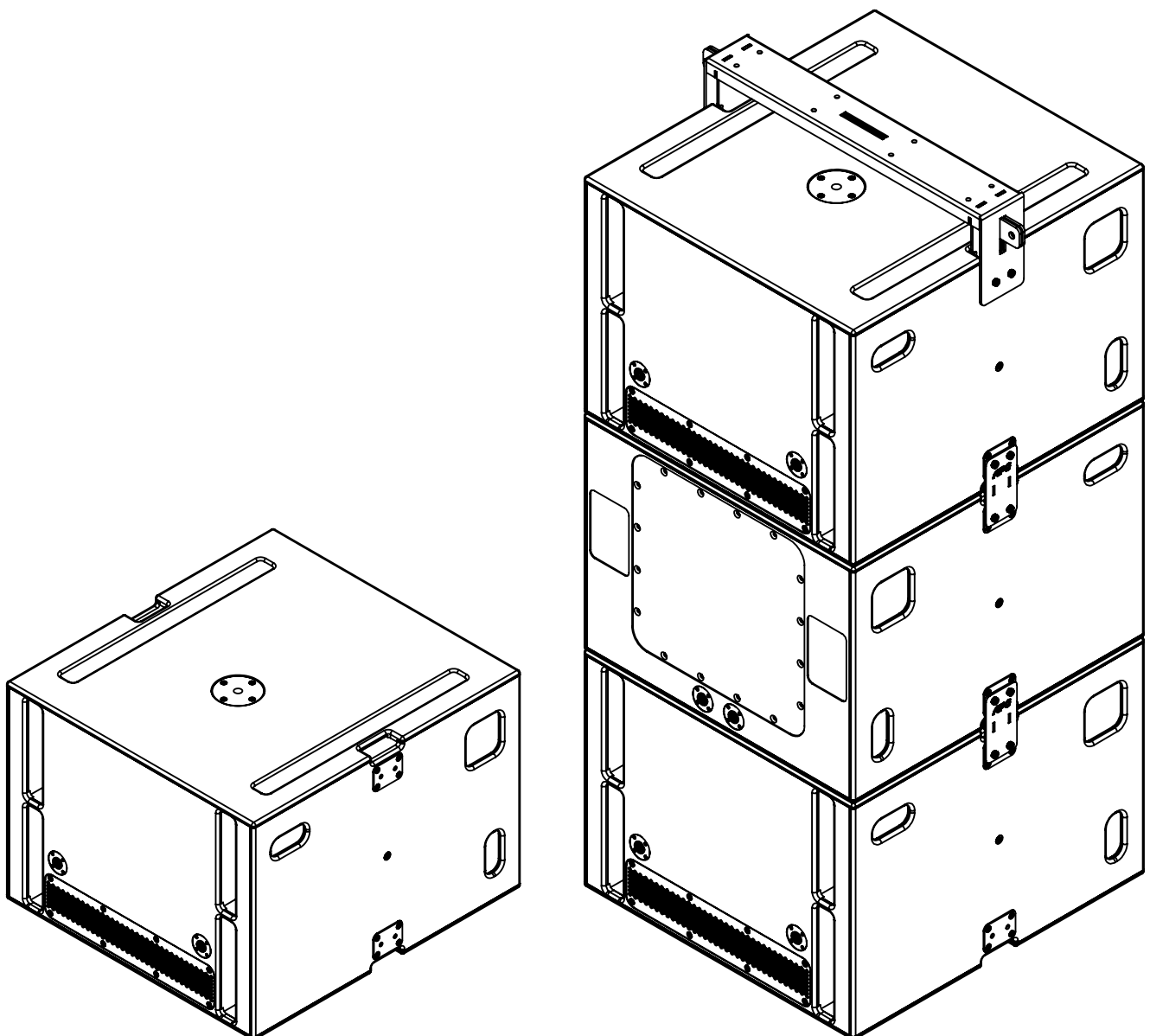


UC118i

APG

User manual



General information

UC118i - User manual
01/2022 EN

APG France (Active Audio / Arbane Groupe)
8 Rue Johannes Gutenberg - 44340 Bouguenais- France
Tél : 02.40.46.66.64
www.apg.audio/en

1. Safety note and general information	5
2. UC118i subwoofer	7
2.1 Product description	7
2.2 Connections	8
2.3 Amplifiers	9
2.4 Examples of configuration	10
2.5 Rigging	13
2.6 Maintenance - Spare parts	15
2.7 Technical specifications	16

1. Safety note and general information

- Information on the risk of exposure to high sound level
- APG loudspeakers are liable to generate levels of sound pressure hazardous to health, which may cause hearing impairment. It is recommended that you never stand in the immediate vicinity of the loudspeakers in operation and wear hearing protection when necessary. Observe the maximum exposure time to noise according to the noise level and the regulations in force in your country. Pay attention to the hearing protection of listeners when using APG systems.
- Read this manual before use and keep it.
- Read all documents relating to the product to be used before setting up and using it. Please contact APG with any questions relating to the product.
- Obtain the latest version of the user manual from the APG website: www.apg.audio.
- Consider all warnings and follow the instructions and recommendations for use.
- Make sure you know the safety rules for hanging, stacking or setting up on a pole or tripod. Failure to follow these rules may expose people to potential injury or death.
- Ensure the safety of operators and spectators.
- Staff must wear personal protective equipment (PPE) during each step of installing the product (helmet, gloves, safety shoes at a minimum).
- Installation of APG products should only be carried out by qualified staff trained in rigging techniques and aware of the safety recommendations set out in this manual.
- Always check the stability, resistance to weight, flatness and horizontality of the support. Prevent access to the spectators around the system, prevent it being possible to push or climb the stack of speakers. Use straps to prevent tipping.
- Do not store the product on an unstable cart, stand, tripod, bracket or table.
- Use the products with the specified accessories by the manufacturer.
- Inspect lifting products and accessories before each use.
- Do not install equipment that is faulty or presents a risk of breakage and have it repaired by qualified personnel or by APG.
- Entrust all repairs to qualified staff or by APG. Repairs are mandatory if the device is damaged in any way, for example: damaged power cord or plug, spilled liquid or object dropped inside the device, exposure of the device rain or moisture for long periods of time, appliance that does not operate normally or that has been dropped.
- Any unauthorized maintenance operation will void the product warranty.
- Perform safety and compliance checks of accessories, enclosures, and third-party accessories periodically at least once a year.
- Respect the maximum load capacity of each configuration and carry out conformity simulations using the tools APG Tools, APG Uniline Aiming Tool, AFMG EASE Focus 3.
- Use only with a cart, tripod, bracket, or table specified by the manufacturer, or sold with the apparatus. If a cart is used, move the cart-apparatus combination carefully so as not to tip it over, which could cause personal injury.
- Do not install near a heat source such as an open flame, radiator, heat register, stove or any other device that produces heat (including amplifiers).
- Do not expose the product to extreme conditions such as humidity (rain, sea water, condensation, ambient humidity, etc.), excessive heat (sun, heating, etc.) over a long period.
- Take into account the effects of the wind. Flying loudspeakers overhead at wind forces higher than, 16 mph (25km/h) is not recommended. If the wind force exceeds 46 mph (72km/h):
 - Make sure that no person remains in the vicinity of the loudspeaker array.
 - Lower and secure the array.
- During an outdoor performance, it is advisable to find out about the weather conditions and to follow the local weather report and the recommendations of the competent authorities. An anemometer can be used at the top of the system.



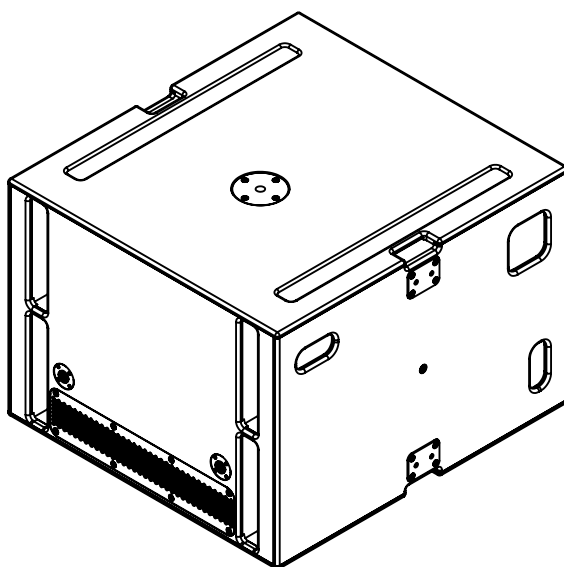
- Use a secondary safety system for any APG speaker rigging.
- The product is intended for be used by professionals trained in professional audio work.
- APG declines all responsibility in the event of the use of non-validated accessories or non-compliance with safety instructions and rules.
- APG products are guaranteed for 5 years. The full five-year warranty covers filters and transducers against manufacturing defects under normal product use.
- APG pursues a research and development policy aimed at improving its products. For this reason, new materials, manufacturing methods and changes in principle may be introduced without prior warning. As a result, an APG product may differ in some aspects from its published description, however, unless otherwise indicated, its characteristics will be greater than or equal to those published.
- Disposal of electrical or electronic equipment
- This symbol on the product or on its packaging indicates that it will not be treated as household waste. Instead it will be delivered to the applicable collection point for the recycling of electrical and electronic equipment. By ensuring recycling, you will help prevent potential consequences for the environment and human health. Recycling of materials will help conserve natural resources. For more detailed information on recycling this product, please contact your local office, waste collection agency or dealer.



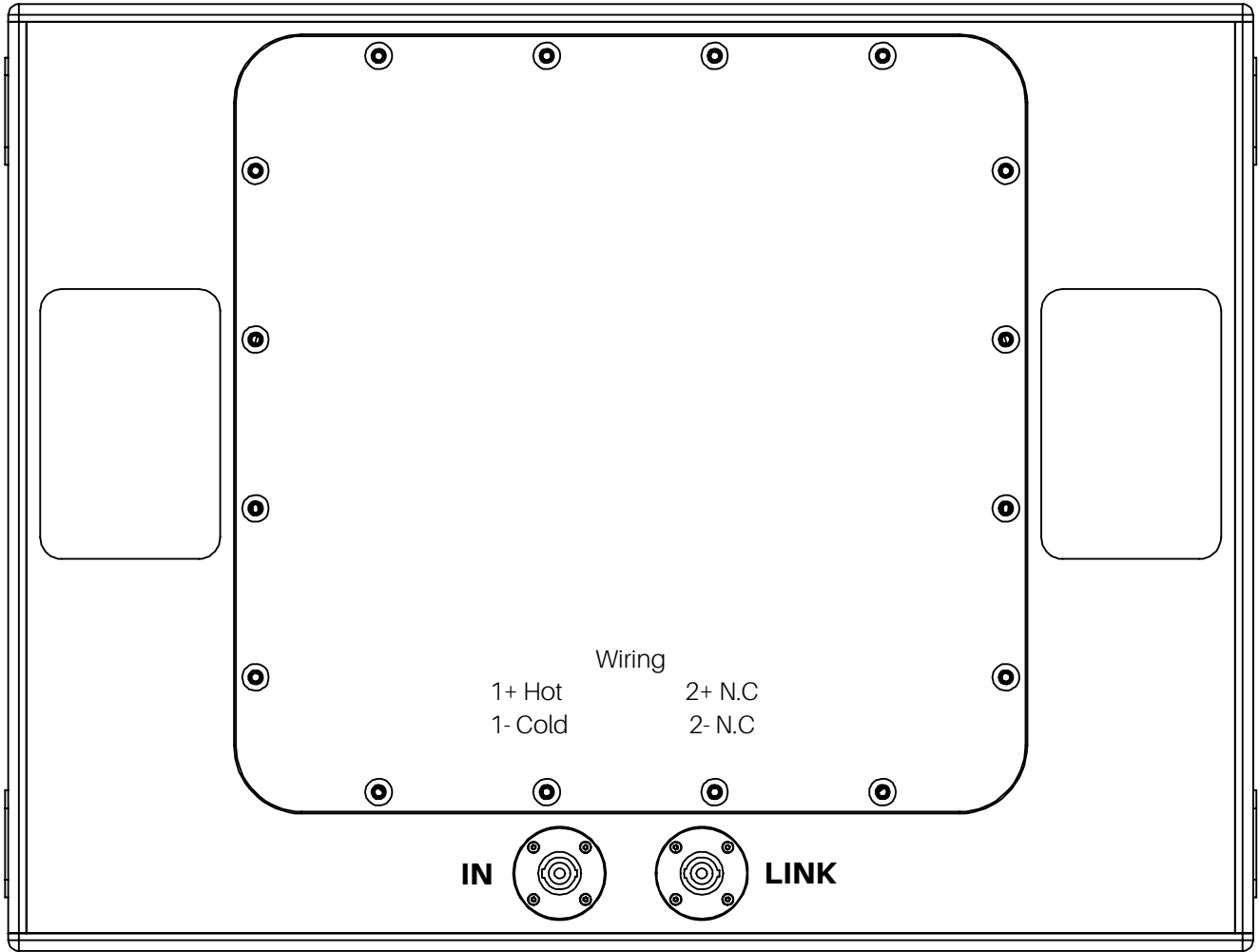
2. UC118i subwoofer

2.1 Product description

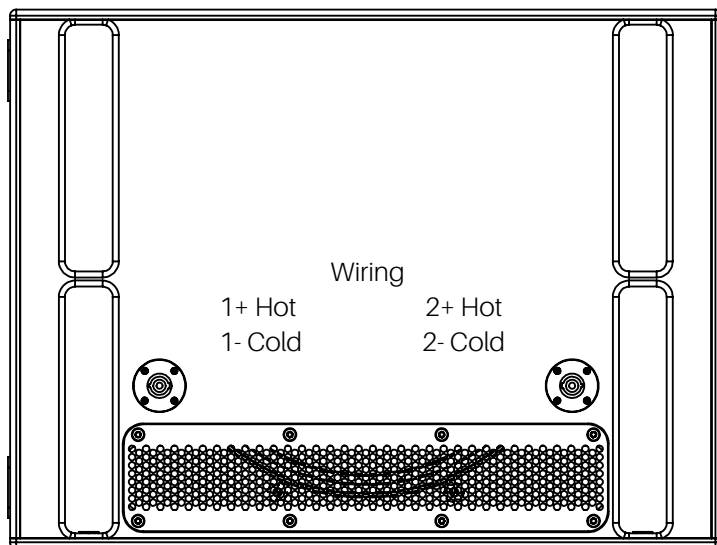
The UC118i subwoofer has been designed to ensure the reproduction of infra-bass in a posed or hung configuration. The loudspeaker bandpass load allows a gain of sound level of 3dB in the useful band and a reduction in the volume of the loudspeaker compared to the load in direct radiation. The forced-ventilated 18 «neodymium driver driver was selected for its excellent diaphragm hold and thermal compression reducing properties. This results in very high efficiency for a compact box that fits easily. Designed for integration, the UC118i is however easily movable thanks to its integrated handles and its optional wheeled tray. The UC118i has an integrated mounting system and optional coupling elements (ELK) that allow clusters of up to 3 speakers in a very attractive omnidirectional or cardioid configuration. Aligned with the center of gravity of the enclosure, the mounting systems provide stable and perfectly vertical clusters. They will be suspended by means of the adapted bumper (EBK). The 2 SPEAKON connectors on the back allow the connection of several speakers on the same amplifier channel, and the 2 SPEAKON connectors on the front panel will allow easy setup of cardioid configurations. For its use the UC118i absolutely requires the use of a digital processor or an amplifier with integrated processor APG.



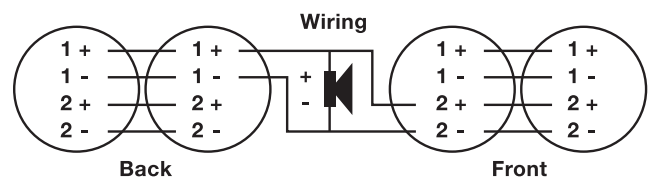
2.2 Connections



The rear panel of the UC118i subwoofer is equipped with two NL4 connectors. The four pins of the two connectors are connected in parallel. The speakers occupy points 1+ / 1-.
 The IN connector is used to receive the audio signal. The LINK connector allows to redistribute it to another UC118i subwoofer connected in parallel.



The front of the UC118i subwoofer is also equipped with two NL4 connectors :
 2+ / 2- on the front for cardioid configuration.
 The 2+ / 2- on the back is connected between the two connectors but is not connected to the speakers.



UC118i wiring diagram

2.3 Amplifiers

WARNING

APG speakers must be powered by APG or Powersoft amplifiers with the corresponding speaker preset. Failure to heed this warning may cause damage to speaker components and the user experience will not be optimal. Refer to the amplifier manual for its connection to the speakers.

	DA8	DA12
UC118i	4	8

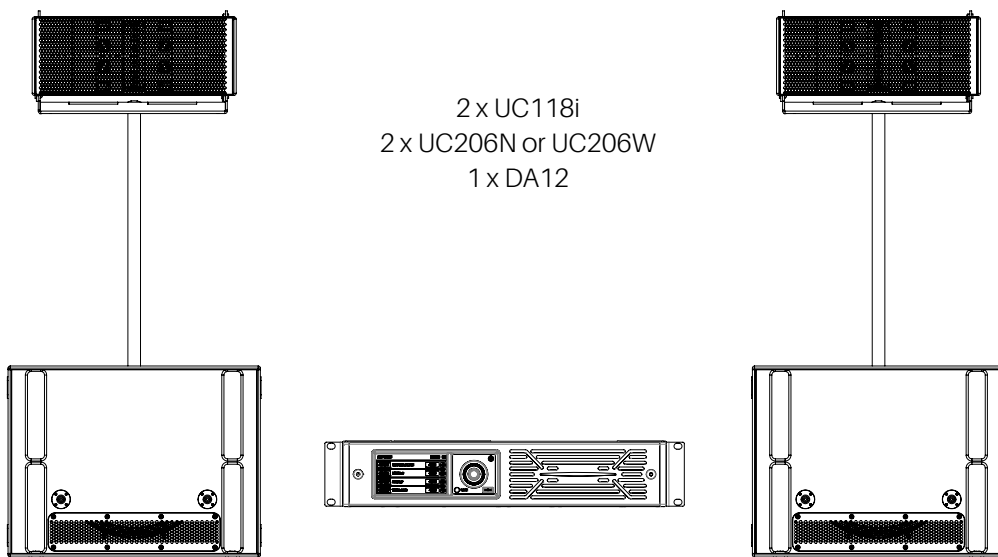
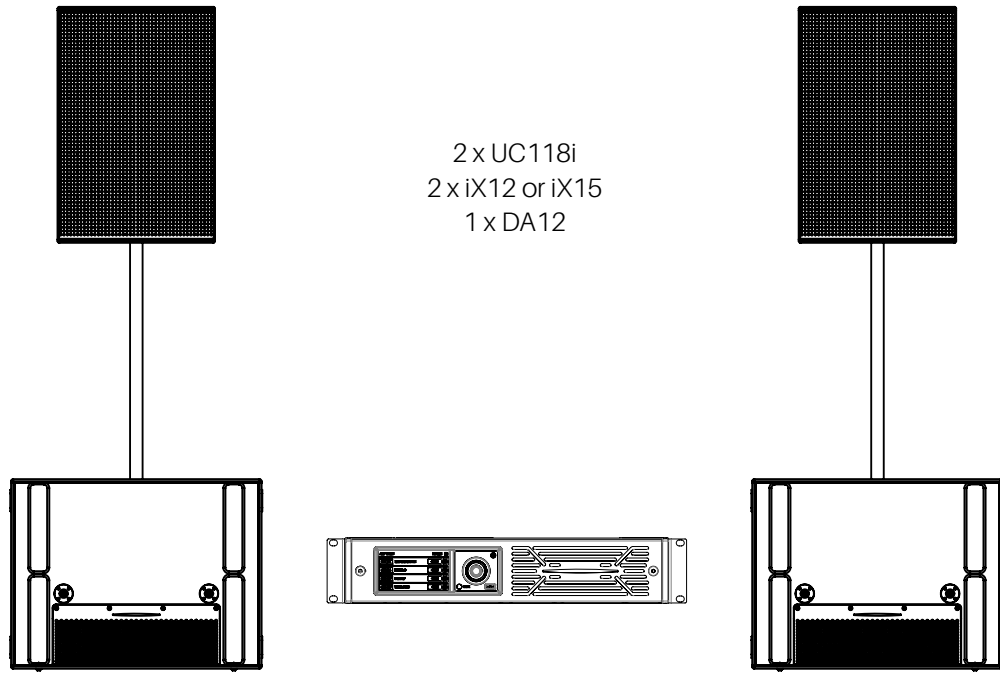
Table : Loudspeakers / Amplifiers parallel wiring recommendations

In order to maintain sound quality, the wiring will be carried out with flexible deoxygenated-copper speaker cable with a minimum 4mm² section for lengths of up to 50m maximum for one speaker per channel.

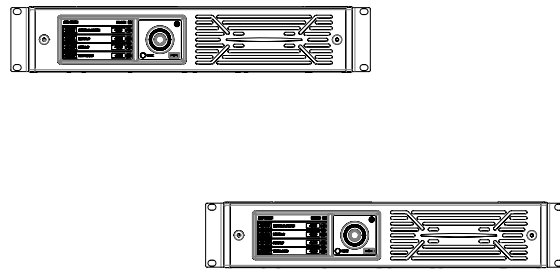
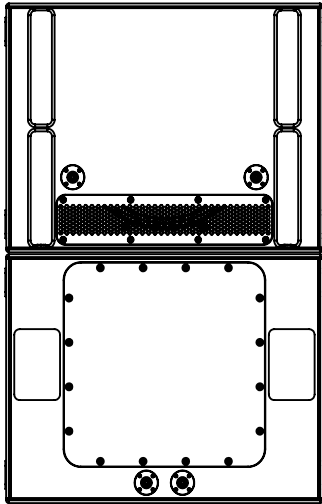
	Rec. minimum cable section [mm ²]	Rec. maximum cable length [m]
UC118i	4mm ²	50m
UC118i x 2	4mm ²	25m

Table : Recommended cable section & length depending on the configuration

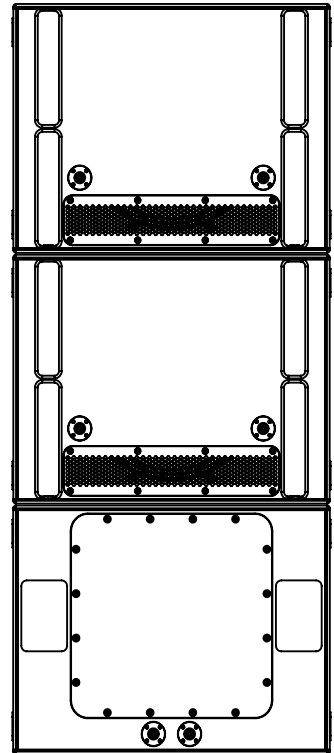
2.4 Examples of configuration



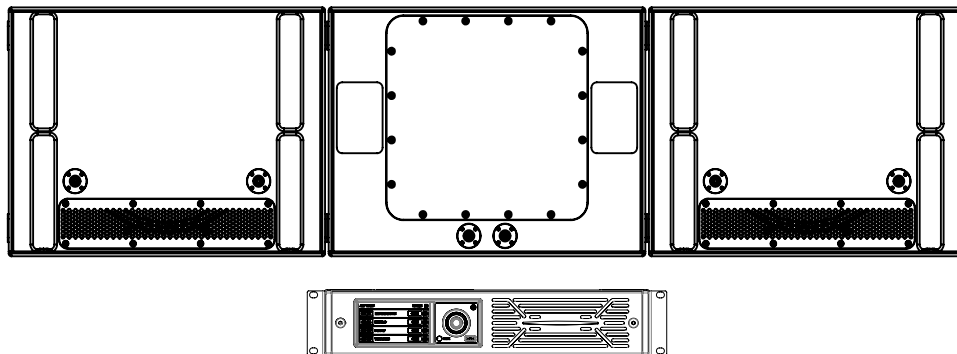
UC118i-CD-V-FR (stacked)
2 x UC118i
1 x DA12

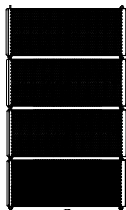


UC118i-CD-V-FFR (stacked)
3 x UC118i
1 x DA12

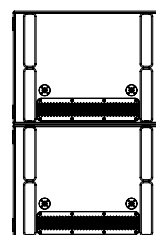
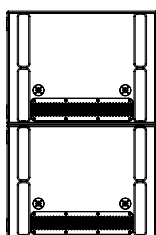
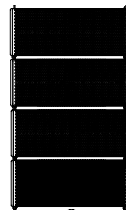


UC118i-CD-H-FRF (stacked)
3 x UC118i
1 x DA12





4 x UC118i stacked
8 x UC206N suspended
2 x DA12

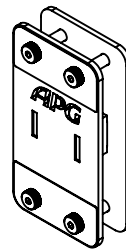


2.5 Rigging

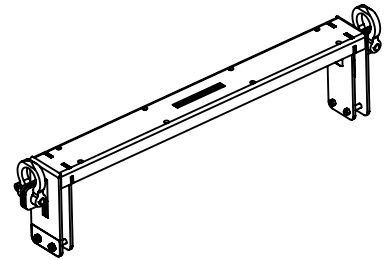
UC118i hanging accessories

UC118i can be assembled vertically. Each will be equipped with the ELK coupling element allowing to create a cluster of up to 3 speakers in omnidirectional or cardioid configuration very aesthetic. Aligned with the center of gravity of the enclosure, the mounting systems provide stable and perfectly vertical clusters.

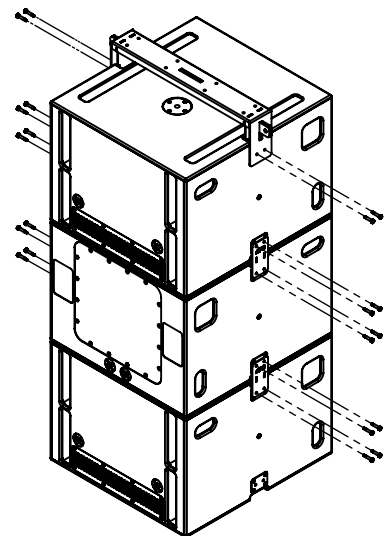
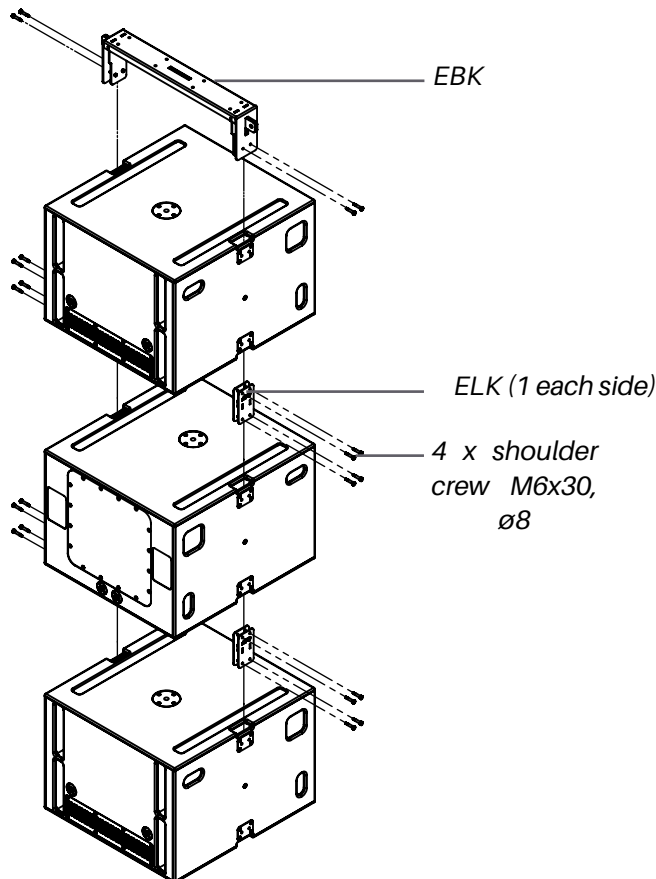
The UC118i will be suspended by means of the adapted EBK bumper.



ELK coupling element

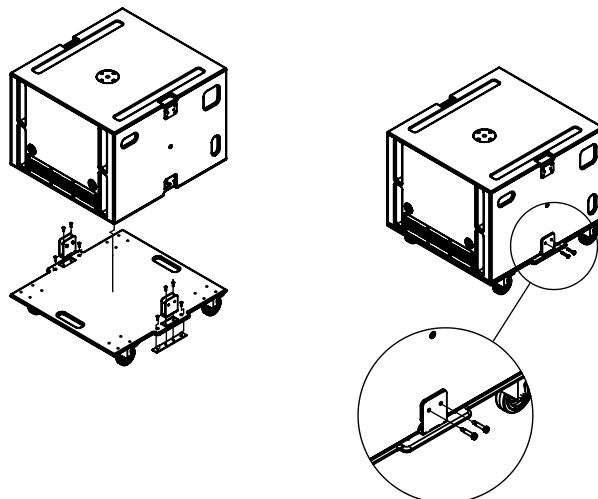


EBK rigging bumper element



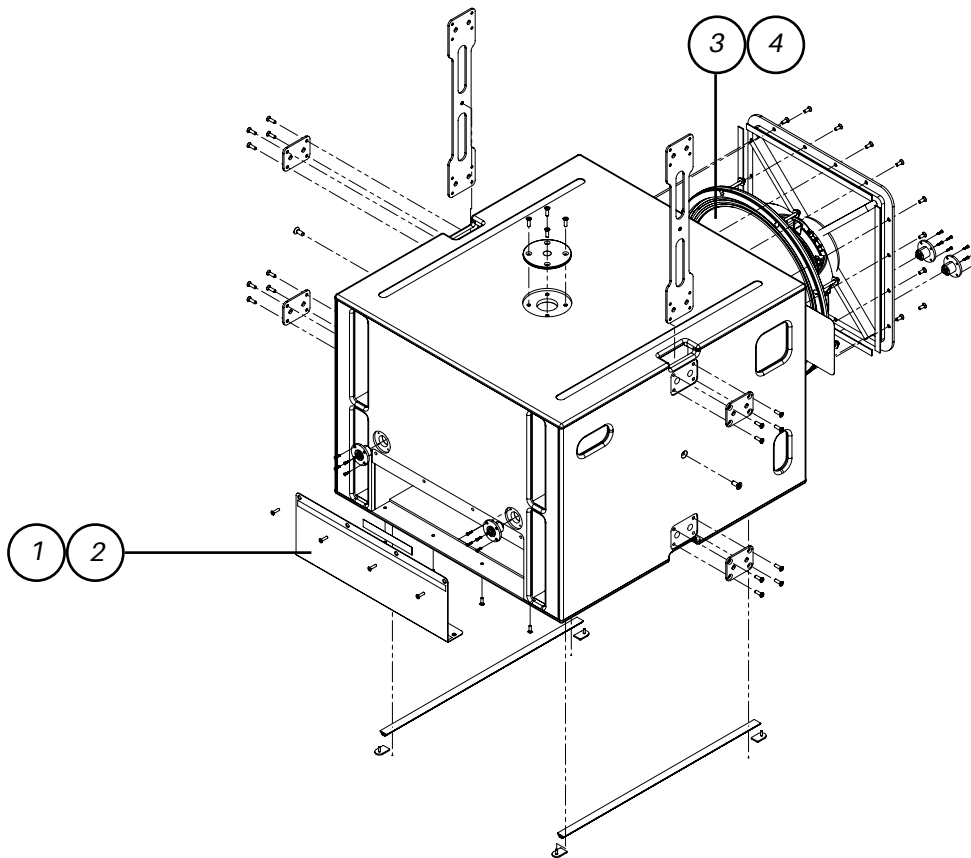
Transport tray

The UC118IWB is the transport tray that can hold 2 UC118i.



2.6 Maintenance - Spare parts

UC118i loudspeaker

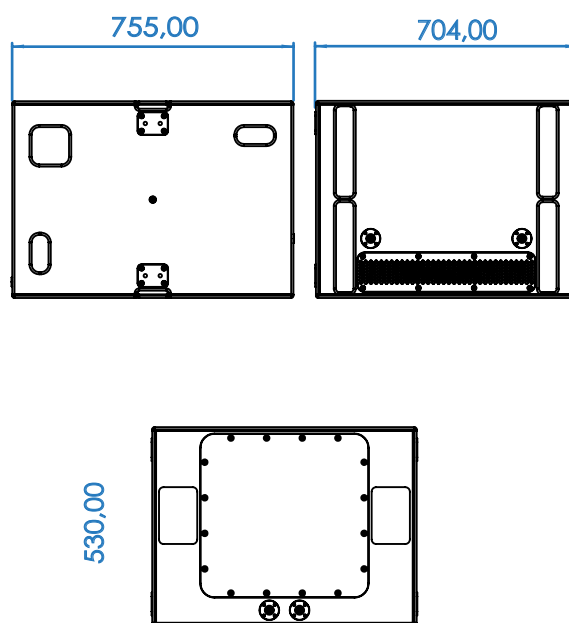


REPERE	REFERENCE	DESIGNATION
1	PRS_1204	Black steel UC118i
2	PRS_1205	White steel UC118i
3	PRS_1085	Recone kit for PST_1558
4	PRS_1127	HP PST_1558_completed

2.7 Technical specifications

UC118i loudspeaker

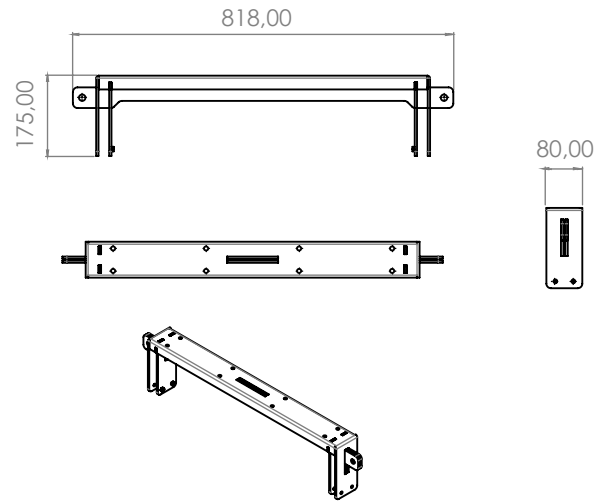
Features	
Usable bandwidth (± 10 dB)	25 Hz - 80 Hz
SPL Max @ 1m	140 dB SPL (1)
Nominal directivity	Omnidirectionnal (2)
Nominal impedance	8 ohm
Components	
Transducers	1 x 18" ND
Topology	-
Acoustical load	Bandpass dual chamber - Bass Reflex - Laminar
Ways and amplification type	1 way, mono amplified
Power	
AES	1100 W (3)
Maximum power handling	4300 W (4)
Construction	
Dimensions H,W,D (mm)	27,7" x 20,8" x 29,7" (704 x 530 x 755 mm)
Weight	110,2 lb (50 kg)
Connectors	4 x Speakon NL4MP (5)
IP	43



- (1) Peak level @ 1m, 2 π sr using 12dB crest factor pink noise with APG preset
- (2) Nominal directivity @-6dB
- (3) Continuous power according to AES2-2012 in DCR
- (4) Peak power according to AES2-2012 in DCR
- (5) SPEAKON connectors are wired hot pin 1+, cold pin1- (2+ and 2- are not connected)

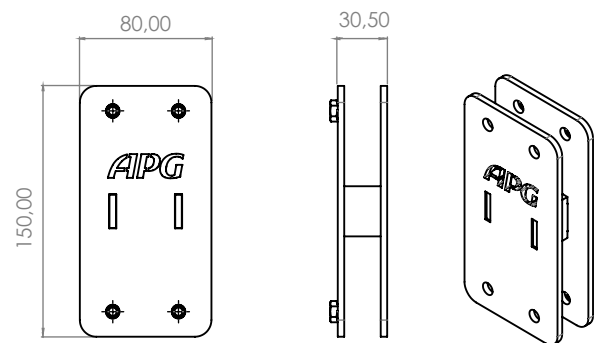
EBK

Construction	
Dimensions H,W,D (mm)	32,2" x 6,8" x 3,1" (818 x 175 x 80 mm)
Weight	24,2 lb (11 kg)
WLL (Working Load Limit)	331 lb (150 kg)



ELK

Construction	
Dimensions H,W,D (mm)	5,9" x 3,1" x 1,2" (150 x 80 x 30,5 mm)
Weight	1,7 lb (0,8 kg)



APG



Arbane Groupe
8 Rue Johannes Gutenberg - 44340 Bouguenais- France
Tél : 02.40.46.66.64
www.apg.audio

