

TOURACK

Universal amplification solution

TOURACK is part of the universal solution of APG amplification intended for the world of entertainment, touring and performance halls wishing to comply with Live operating standards.

The TOURACK can be used for all live sound applications in the APG range, from the smallest speakers to complete broadcast systems.

The TOURACK is composed of:

- Flight Case 8U 60 x 60 on wheels with sliding doors
- 32A Mono electrical distribution plate
- Connection panels on the front (I/O + Network)
- Free unit available for a switch on the front panel

The TOURACK is directly compatible with the UNIRACK and allows it to carry all inputs/outputs from 8/8 to 12/12 on a single 32A Mono power supply for great flexibility of use.

All "audio" cabling is done on the front panel for greater readability and easier interaction with the touch screens of the DA Series amplifiers.

All connectors are Neutrik's "Serie D Universal" standard to guarantee the robustness necessary for Live and Touring applications and interoperability with existing hardware fleets.



Illustration - Tourack equipped with DA12 amplifier

APG usage standard for "Cross Renting" and Live.

All sound applications from the APG range.

Rack 8 inputs / 8 processed and amplified outputs.

Analog, digital (AES3 or DANTE) inputs.

Link analog and AES3 inputs.

4 Ethernet ports for remote control.

Speakon NL4 and NL8 outputs.

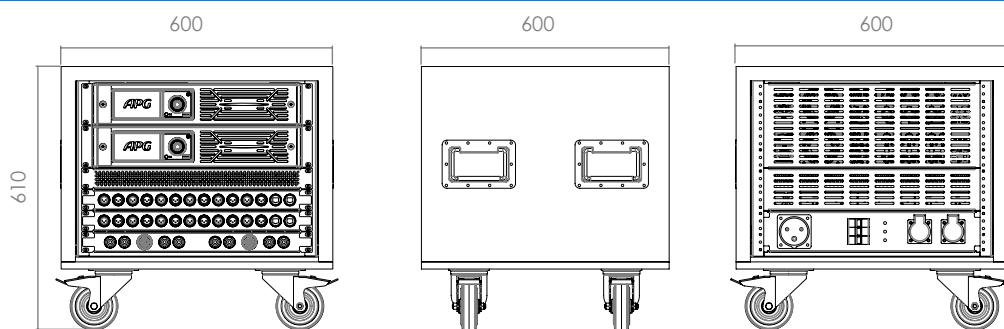
1 RU available to insert a switch.

Cabling on the front of the rack.

APG

TOURACK

Technical specifications



Features

Input	
Analog	8 XLR female 8 XLR male (LINK)
Digital AES3	4 XLR female (8 audio channels) 4 XLR male (LINK)
Digital DANTE / AES67	4 Ethercon (8 audio channels)

Output	
	8 Speakon NL4 (8 speakers channels)
	2 Speakon NL8 (8 speakers channels)
	8 Dante/AES67 TX (via Ethernet connectors)

AC Main Power

Power supply	1x 32A Mono
Connecteur d'alimentation	2x 10A for 2 amplifiers (gland-connectors) 2x AUX sockets to power 1x UNIRACK (10A) and 1x accessorie (2A max) - computer / switch...

Components

TOURACK	Flight case 8U + electrical plate for 32A Mono
RP1UMI-DA1	Input plate DA for Unirack and Tourack amplifier 1
RP1UMI-DA2	Input plate DA for Unirack and Tourack amplifier 2
RP1UMO4	Output plate DA for Unirack and Tourack amplifier 1
RP1UMO8	Output plate DA for Unirack and Tourack amplifier 2

Construction

Dimensions L, H, W (mm)	610 x 600 x 600
Weight (kg)	64kg (equipped)
Handles	4
Doors	Sliding
Suspension	Silentblocks
Stainless steel plate for specific information Live provider	

Amplifiers sold separately. The distribution plate electrical, the connection plates and the flight case cannot be separated and are sold as a "TOURACK" item.

Rack intended to accommodate only 2 DA Series amplifiers (DA8 / DA12) inside, to the exclusion of any other reference amplifier.

Ethernet switch / Router not provided.